

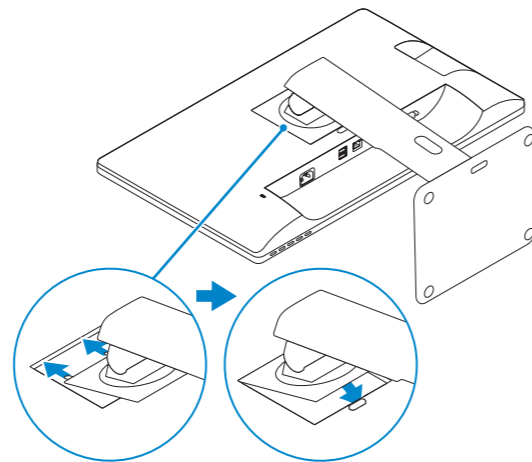
Dell Wyse 5050 All-in-One Zero Client with PCoIP

Wyse 5000 Series

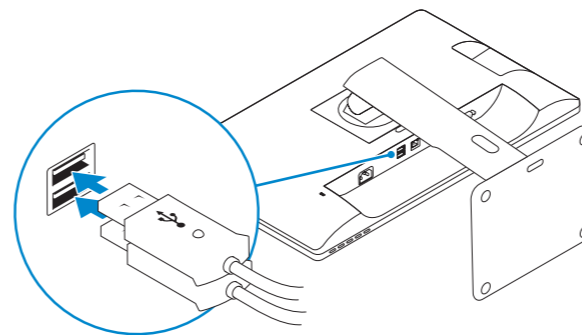
Quick Start Guide



1 Install the stand



2 Connect the keyboard and mouse



NOTE: To connect a wireless keyboard or mouse, see the documentation that shipped with it.

Product support and manuals

dell.com/support
dell.com/support/manuals

Contact Dell

dell.com/contactdell

Regulatory and safety

dell.com/regulatory_compliance

Regulatory model

N01A

Regulatory type

N01A001

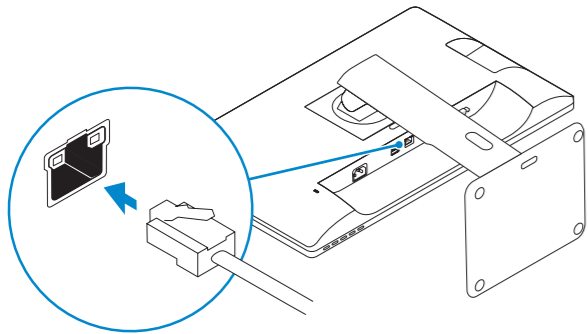
Computer model

Dell Wyse 5050 All-in-One
Zero Client with PCoIP

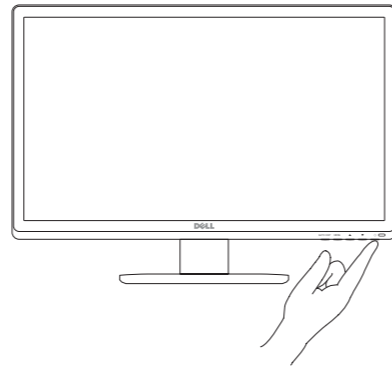
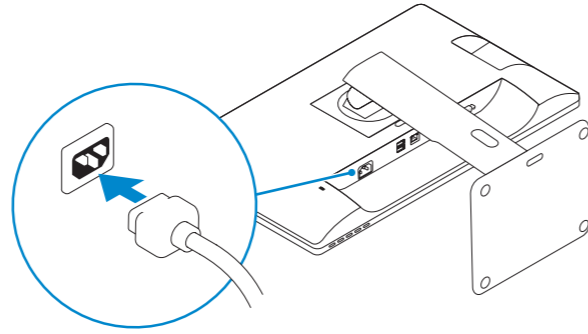


0BARCODE0

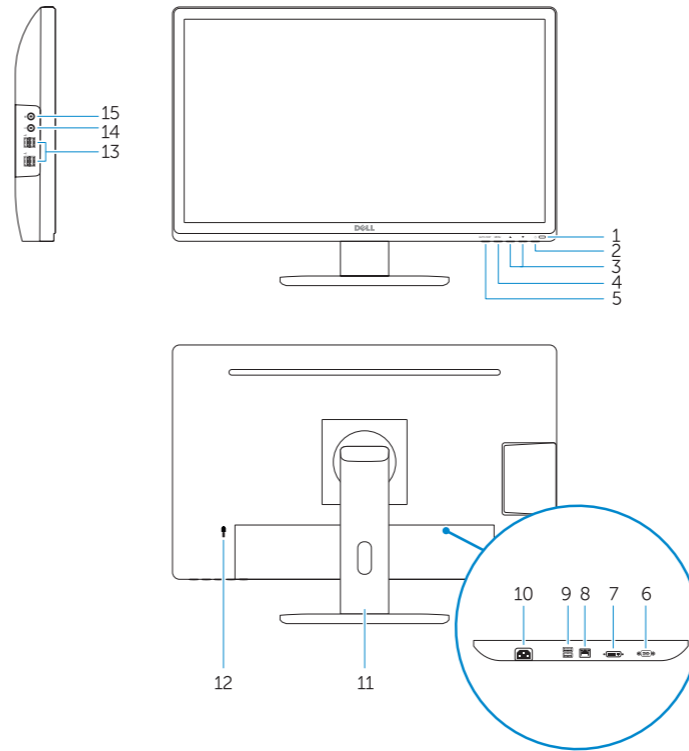
3 Connect the network cable (sold separately)



4 Connect the power cable and press the power button



Features



1. Power light
2. Power button
3. On Screen Display (OSD) control buttons
4. On Screen Display (OSD) menu button
5. On Screen Display (OSD) auto/exit button
6. VGA connector
7. DVI connector
8. Network connector
9. USB 2.0 connectors
10. Power connector
11. Stand
12. Security lock slot
13. USB 2.0 connectors
14. Headphone connector
15. Microphone connector

On Screen Display (OSD) Menu

- Color
- Image Setting
- Signal Source
- Language

NOTE: The power adapter is internal and you must connect the power cable to the power connector.